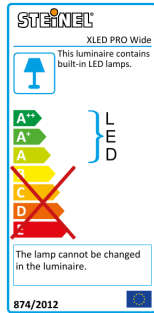


XLED PRO Wide

white

EAN 4007841 010072



LED

30 years (Ø 4,5h / day)



4000K neutral white



infrared sensor 240°



max. 12 m



IP54



360° horizontal, 90° vertical



2-1000 lux



5 sec - 15 min



soft light start



3% basic brightness

Function description

Lighting precision on a broad front. XLED PRO Wide sensor-switched floodlight with even light pattern thanks to the precision lens matrix. Fully tilting and turning flat-design light head. With a mounting height of up to 6 m, ideal for illuminating large rectangular areas. Powerful high-end LEDs giving 2400 lm of light at 24,8 W. Sensor with 240° coverage and 12 m reach. Linear basic light level. High-quality aluminium heat sink.

Ташев-Гарбин ООД
www.tashev-garbin.com

XLED PRO Wide

white

EAN 4007841 010072

Technical specifications

Dimensions (L x W x H)	126 x 265 x 188 mm	Reach, radial	r = 3 m (19 m ²)
Mains power supply	220 – 240 V / 50 – 60 Hz	Reach, tangential	r = 12 m (302 m ²)
Mounting height max.	6,00 m	Photo-cell controller	Yes
Sensor Technology	passive infrared	Twilight setting	2 – 1000 lx
Output	24,8 W	Time setting	5 s – 15 Min.
Interconnection	Yes	Basic light level function	Yes
Type of interconnection	Sensor/slave	Basic light level function time	10 min, 30 min, all night
Interconnection, number	maximum of 10 floodlights	Main light adjustable	No
Luminous flux	2400 lm	Settings via	Remote control, Potentiometers, Smart Remote
Colour temperature	4000 K	Soft light start	No
Colour variation LED	SDCM3	Continuous light	selectable, 4h
Colour Rendering Index CRI	80-89	Impact resistance	IK03
With lamp	Yes, STEINEL LED system	IP-rating	IP54
Lamp	LED cannot be replaced	Protection class	I
LED life expectancy (max. °C)	50000 h	Ambient temperature	-20 – 40 °C
Drop in luminous flux in accordance with LM80	L70B10	Housing material	Aluminium
LED cooling system	Passive Thermo Control	Cover material	Plastic, transparent
With motion detector	Yes	Manufacturers Warranty	5 years
Detection angle	240 °	PU1, net weight	1,841 kg
Angle of aperture	180 °	Version	white
Sneak-by guard	Yes	PU1, EAN	4007841010072
Capability of masking out individual segments	Yes		

Accessories

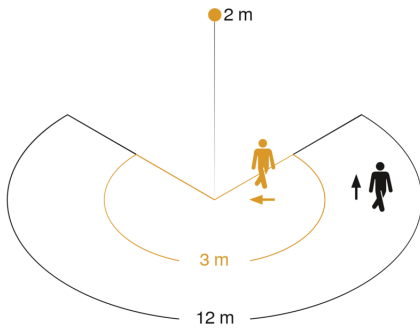
EAN 4007841 009151	Remote control Smart Remote
EAN 4007841 007638	Remote control RC9

XLED PRO Wide

white

EAN 4007841 010072

Detection Zone

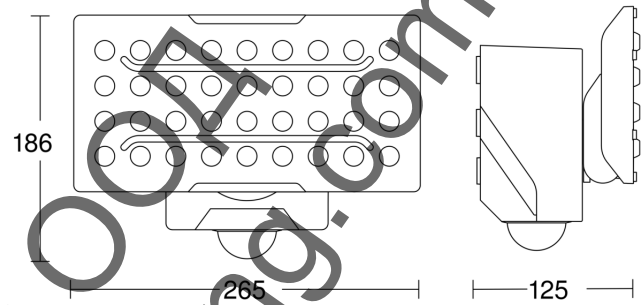


Mögliche Montagehöhe: 1,80 m – 6,00 m

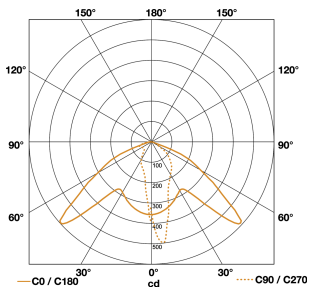
Orange: radial

Schwarz: tangential

Dimension Drawing

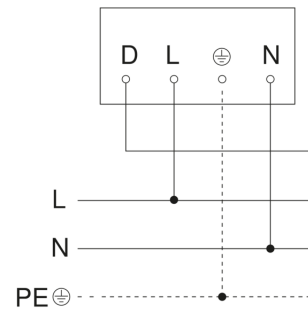


Light Distribution Curve



Output	24,8 W
With lamp	Yes, STEINEL LED system
Lamp	LED cannot be replaced
Luminous flux	2400 lm
Colour temperature	4000 K
Colour Rendering Index CRI	80-89
LED life expectancy (max. °C)	50000 h
LED cooling system	Passive Thermo Control

Master circuit diagram



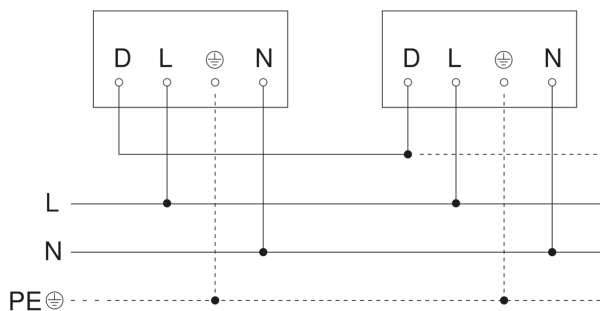
Ташев-Галвинг
www.tashev-galving.com

XLED PRO Wide

white

EAN 4007841 010072

Master/slave and master/master interconnection circuit diagram



Ташев-Галвинг ООД
www.tashev-galving.com